



Tappet Contact

Model:ABK-404

Specification

Tappet contact is made of excellent material, Seiko quality, Special design, Applicable to use for access control, to protect the wire when install the electric lock, magnetic contact, alarm button on the door, convenient and beautiful.

Material Selection: High Strength Aluminum, Sandblast Finished

Suitable for Door: All Kind of Single Door & Double Doors

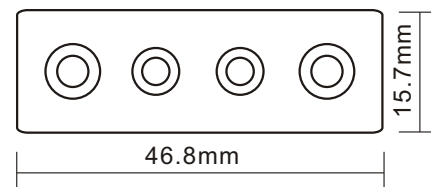
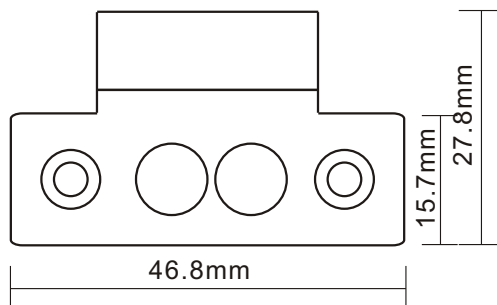
Max. Current: 5A

Max. Voltage: 0-36VDC/VAC

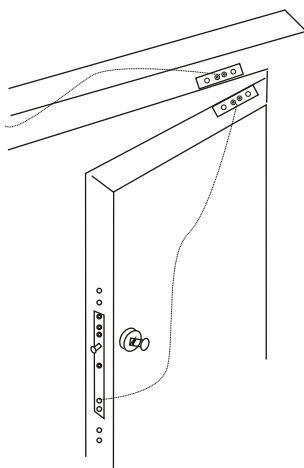
Contact Material: Plated brass

Weight: 0.26kg

Dimension



Installation



Feature

- Select the Special Durable Material
- Link on the Door Leaf and Door Frame Without Wires
- Convenient for Special Installation
- Speciality Use for the Access Control Project