



Bracket for Locks

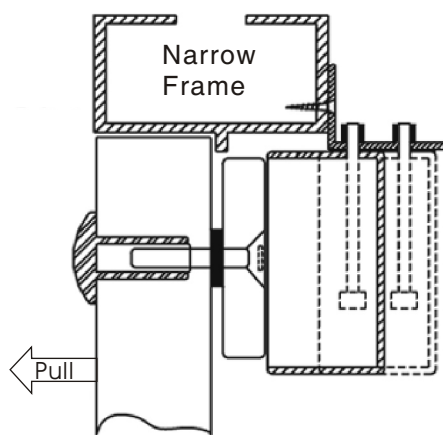
L Bracket for EM Lock

Specification

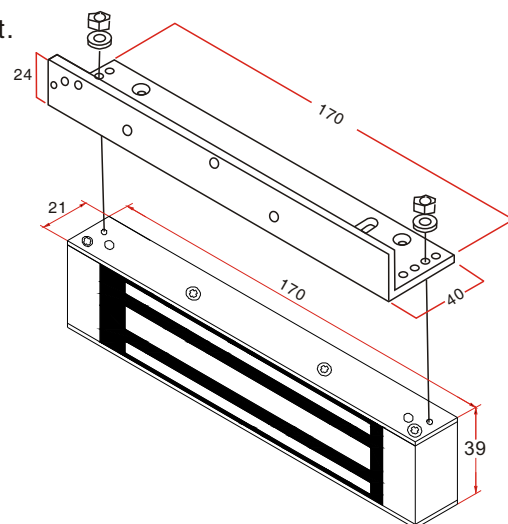
Model	Size(unit:mm)	Suitable For	Used With	Weight
ABK-180L	170Lx40Wx24H	Narrow door	YM-180,YM-180D	0.14kg
ABK-180L-S	182Lx40Wx24H	Narrow door	YM-180-S,YM-180D-S	0.20kg
ABK-280L	250Lx47Wx28H	Narrow door	YM-280,YM-280(LED),YM-280T(LED) YM-280D,YM-280D(LED),YM-280TD(LED)	0.27kg
ABK-350L	285Lx54Wx31H	Narrow door	YM-350,YM-350(LED),YM-350T(LED) YM-350BZ,YM-350D,YM-350D(LED) YM-350TD(LED),YM-350DBZ	0.33kg
ABK-350L-W	227Lx54Wx31H	Narrow door	YM-350W,YM-350W-S	0.30kg
ABK-500L	265Lx72Wx45H	Narrow door	YM-500,YM-500(LED),YM-500T(LED) YM-500BZ,YM-500D,YM-500D(LED) YM-500TD(LED),YM-500DBZ	0.58kg
ABK-500L-W	220Lx72Wx45H	Narrow door	YM-500W,YM-500W-S	0.50kg
ABK-750L	280Lx80Wx51H	Narrow door	YM-750,YM-750D,YM-750(LED) YM-750D(LED),YM-750T(LED) YM-750TD(LED)	0.70kg

Installation

- In case of the width of the door frame less than 42mm and there is not enough space ,L bracket is needed to be installed for the armature plate.
- Discharge the mounting plate from lock body.
- Fix the L bracket on the door frame.
- Use the Allen key to fix the lock body the on the Z bracket.



Narrow door frame(swing out)



L Bracket(YM-180) Installation