



YLI ELECTRONIC



Patent: No.201420531846.3

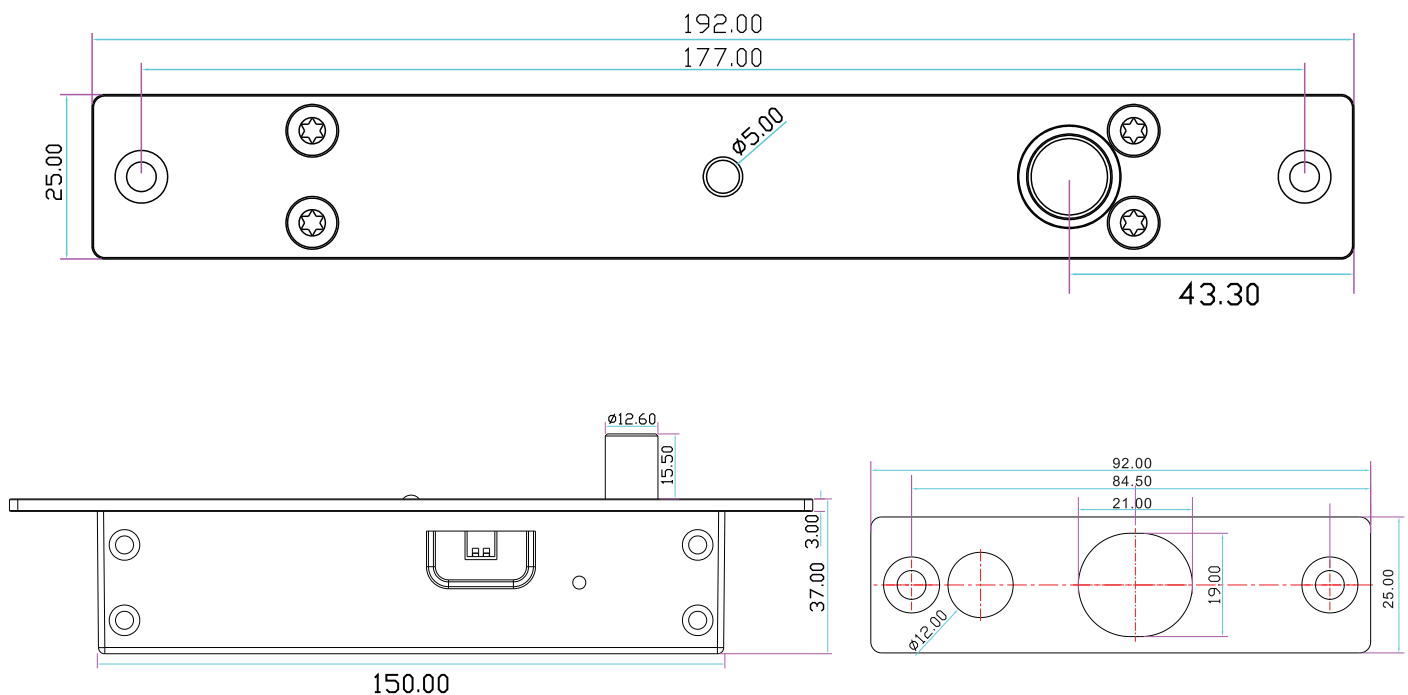
Fail Secure Sturdiness Electric Bolt

Model:YB-500B(LED)

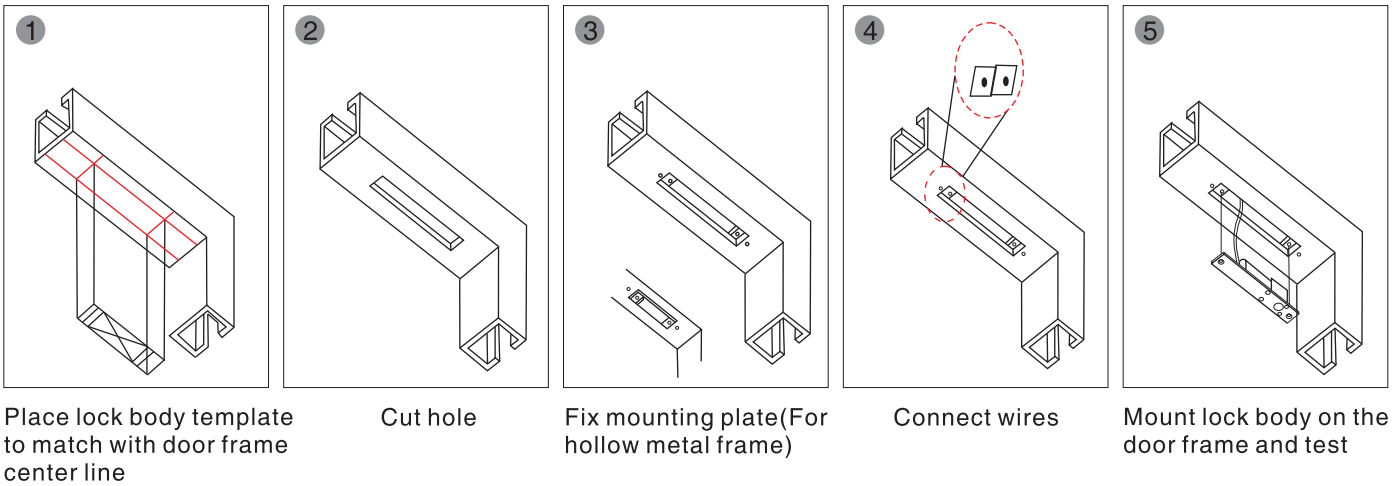
Parameters

Face Plate	192Lx25Wx37H(mm)
Strike	92Lx25Wx3H(mm)
Bolt	16(projecture)*13(diameter)(mm)
Holding Force	1000Kg
Time Delay	0/3/6/9sec(Adjustable)
Voltage	12VDC(24VDC need order)
Current	Start 960mA,Standby 180mA
Signal Output	NO/COM
LED	Green indicates the door is unlock; Red indicates the door is lock
Material	304 stainless steel, wire draw finishing
Induction Distance	8mm
Suitable for	Wooden door, glass door, metal door ,Fireproof door
Weight	0.68kg

Dimensions

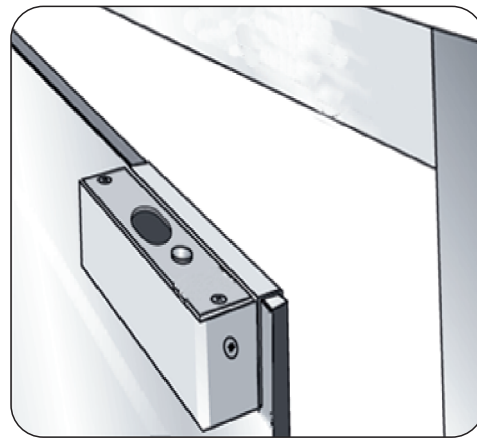
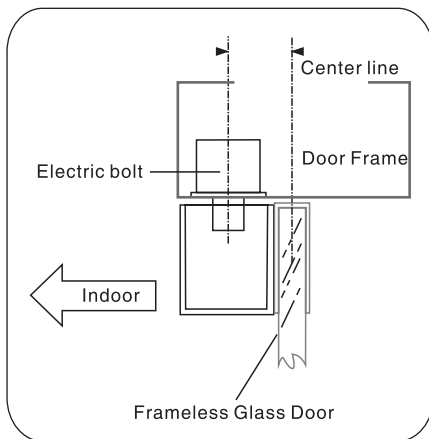


Installation



Installation Schematic

Suitable for 10-15mm glass door, BBK-600/601/602 for Frameless Glass Door.



Wiring Diagram

