



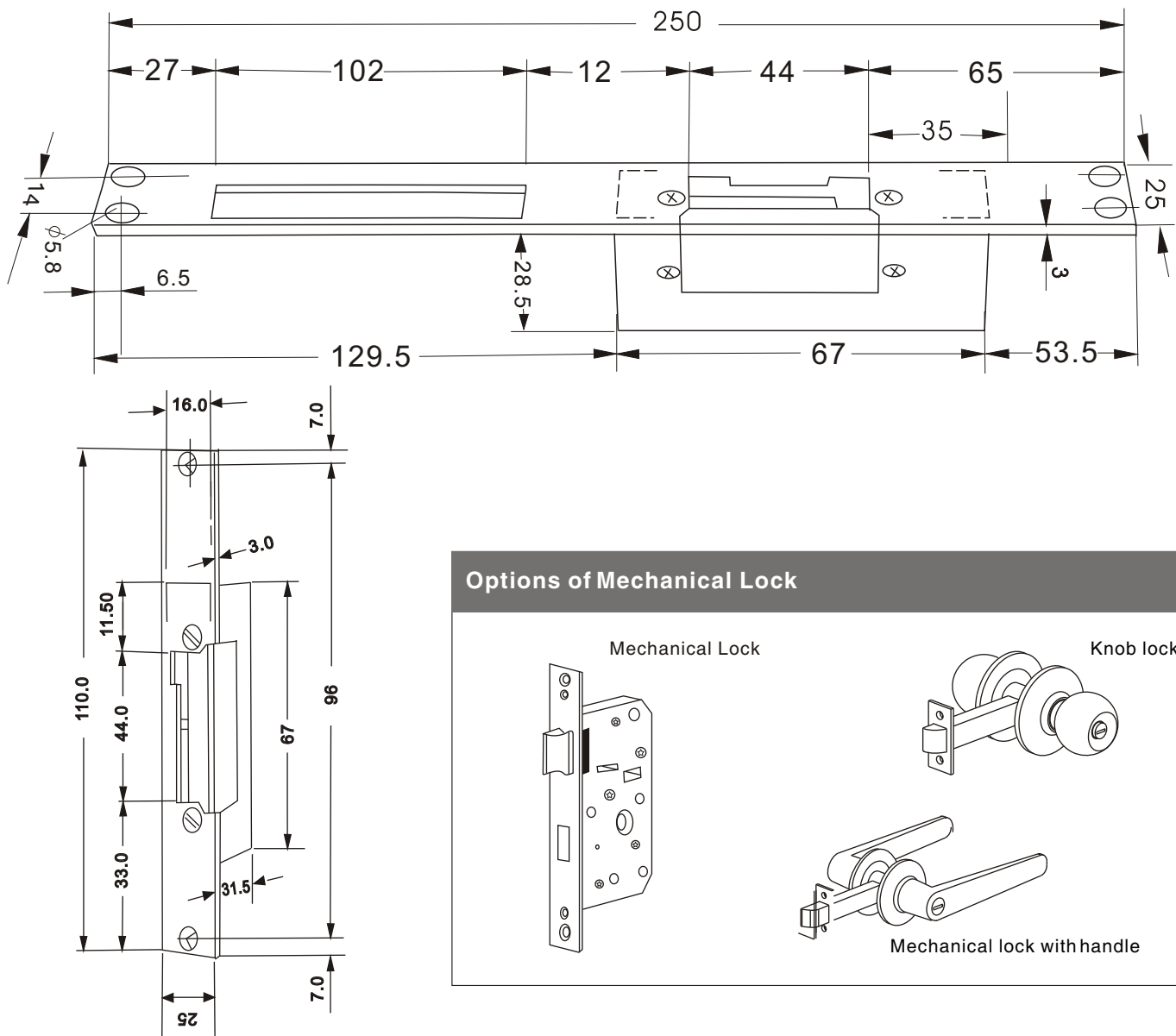
Electric Strike

European Narrow-type and Adjustable Electric Strike

Specification

| Model | Face Plate | Voltage | Current | Fail Safe | Suitable for | Weight |
|-----------|----------------|---------|---------|-----------------|----------------------------|---------|
| YS-134NOS | 110Lx25Wx31.5H | 12VDC | 700mA | Fail Secure(NO) | Woodeng door Metal door | 0.28 kg |
| YS-134NOL | 250Lx25Wx31.5H | 12VDC | 700mA | Fail Secure(NO) | Woodeng door Metal door | 0.35 kg |

Diagram (unit:mm)



Options of Mechanical Lock

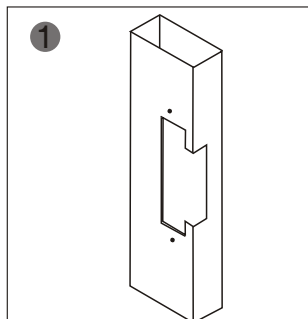
Mechanical Lock

Knob lock

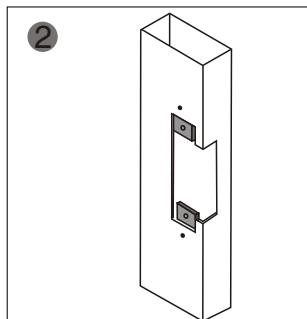
Mechanical lock with handle



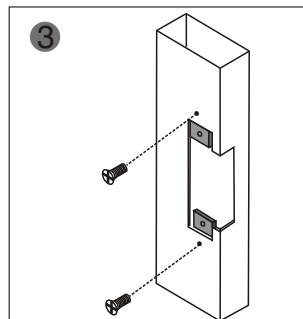
Installation



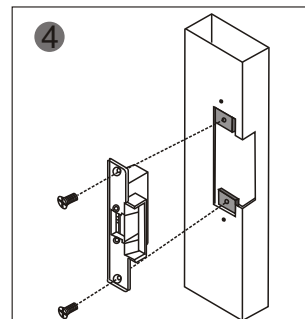
1 Cut hole according to the dimension of strike.



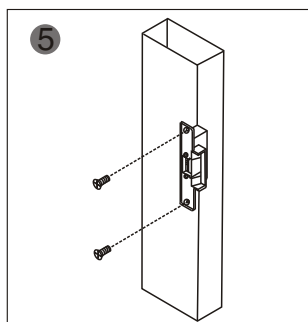
2 Insert the fixing lug



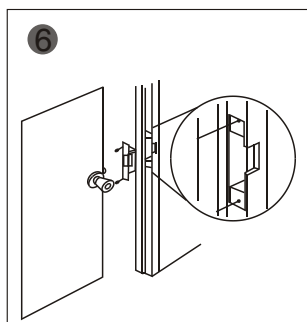
3 Fix the fixing lug



4 Assemble the lock and connect it to the power to test

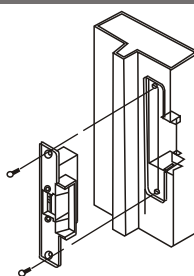


5 Fix the electric strike

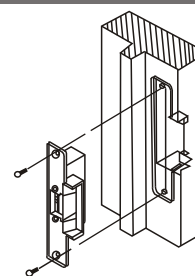


6 Finished

Suitable for



Metal Door Frame



Wooden Door Frame

Wire connection

